

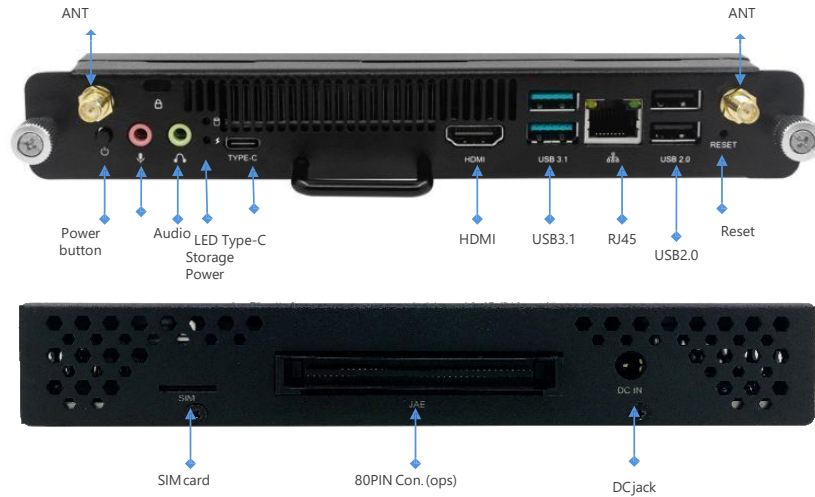


- Intel OPS Standard Module
- Supports Intel 11th Gen Tiger Lake-U Mobile Processor
- Dual channel DDR4 Memory
- 1 x M.2 2280 NVMe SSD Slot/ 1 x 2242 SSD slot
- 2 x USB3.1, 2 x USB2.0 , 1 x Type-C ; 1 x USB3.0, 2 x USB2.0(80Pin connector)
- M.2 2230 WIFI/BT slot
- M.2 3042 slot, Support 4G module
- Displays: 1 x HDMI2.0, 1 x HDMI2.0(80Pin) ,1 x Type-C Support 4K60Hz
- Support Intel vPro/AMT(Optional)
- Support TPM2.0
- 12V/19V DC in

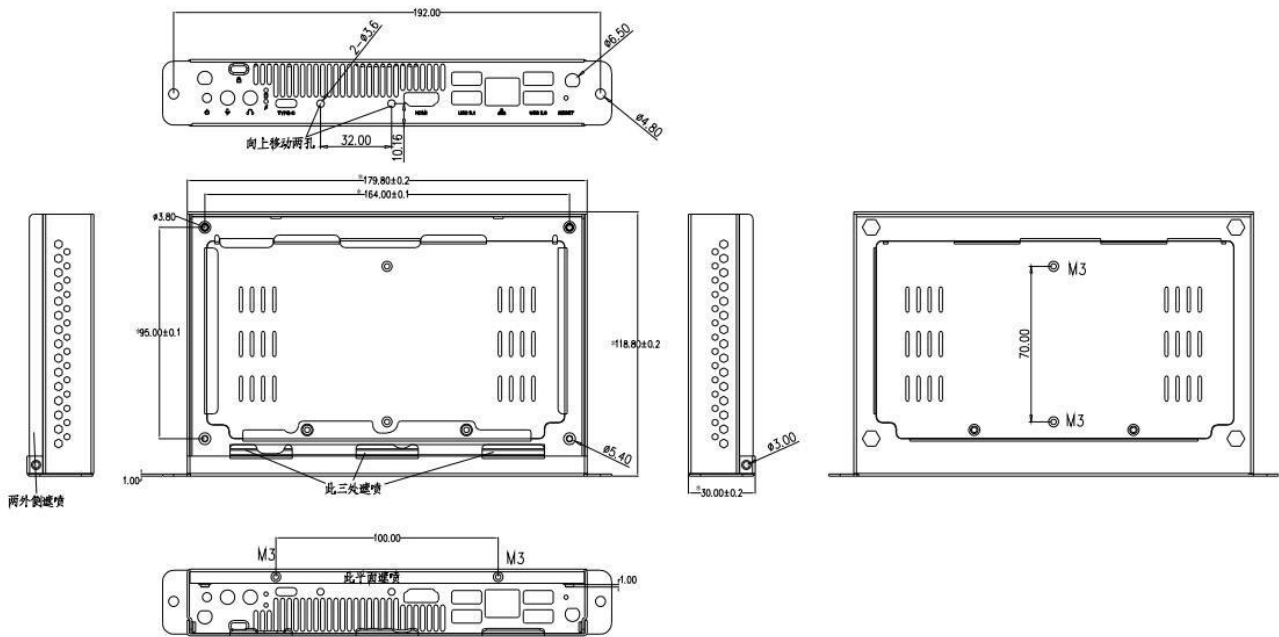
Specification

Processor	CPU	Intel® Tiger lake-U platform, 11 th gen processor, I7-1165G7,2.4GHz, TDP 28W
	BIOS	AMI UEFI BIOS
Graphics	Chipset	Intel® Iris® Xe Graphics
	VRAM	64GB (Max)
	Multi displays	Support three displays
	Interface	1 x HDMI2.0 , resolution 4096 x 2160 @ 60Hz 1 x 80pin JAE Con. (HDMI2.0) , resolution 4096 x 2160 @ 60Hz 1 x DP1.4 (Integrated in Type C), resolution 4096 x 2160 @ 60Hz
Memory	Type	SO-DIMM DDR4
	RAM	8GB
Ethernet	Lan IC	1 x Intel I219LM
	Interface	10/100/1000Mbps
	Connector	1 x RJ45
Wireless	Type	PCIe+USB Wi-Fi/BT module PCIe+USB LTE module
	Interface	1 x M.2 2230 for Wifi+BT module 1 x M.2 3042 for 4G module
Storage	ROM	256G (NVMe SSD)
	Interface	1 x M.2 2280 for NVMe SSD, Support Optane 1 x M.2 2242 for SATA SSD
IO Interface	Front panel	1 x HDMI2.0 2 x USB3.1 Gen2*1 , 1 x Type-C , 2 x USB 2.0 1 x RS232, DB9 (Option) 1 x RJ45 1 x MIC IN, 1 x Line out 2 x Wi-Fi/BT ANT 1 x Power button, 1 x Reset button
	Rear panel	1 x JAE 80Pin : 1x HDMI 2.0, 2 x USB2.0 ,1 x USB3.0, TTL, etc.. 1 x 2.5/5.5 DC IN JACK 1 x Micro SIM Card
Software	OS Supports	Windows11/LINUX
	Watchdog	Support
	vPro/AMT	Support
	TPM	Support , TPM2.0
Power	Power input	12V / 19V DC IN, 2.5/5.5 DC Jack & JAE 80pin DC IN
Size		Comply with OPS Standard module, 119 x 180 x 30 mm
Environment	Operating Temp.	-5~45°C
	Operating Humidity	10%~90% non-condensing
	Storage Temp.	-20~70°C
	Operating Humidity	5%~95% non-condensing

View



Size



Information

Model	Description
S084-I3	I3-1115G4/M.2 SSD/ SO-DIMM DDR4/ WIFI+BT module/ 2 HDMI2.0 /TPM2.0 /AMT /Type-C
S084-I5	I5-1135G7/M.2 SSD/ SO-DIMM DDR4/ WIFI+BT module/ 2 HDMI2.0 /TPM2.0 /AMT /Type-C
S084-I5 vpro	I5-1145G7/M.2 SSD/ SO-DIMM DDR4/ WIFI+BT module/ 2 HDMI2.0 /TPM2.0 /vPro /Type-C
S084-I7	I7-1165G7/M.2 SSD/ SO-DIMM DDR4/ WIFI+BT module/ 2 HDMI2.0 /TPM2.0 /AMT /Type-C
S084-I7 vpro	I7-1185G7/M.2 SSD/ SO-DIMM DDR4/ WIFI+BT module/ 2 HDMI2.0 /TPM2.0 /vPro /Type-C